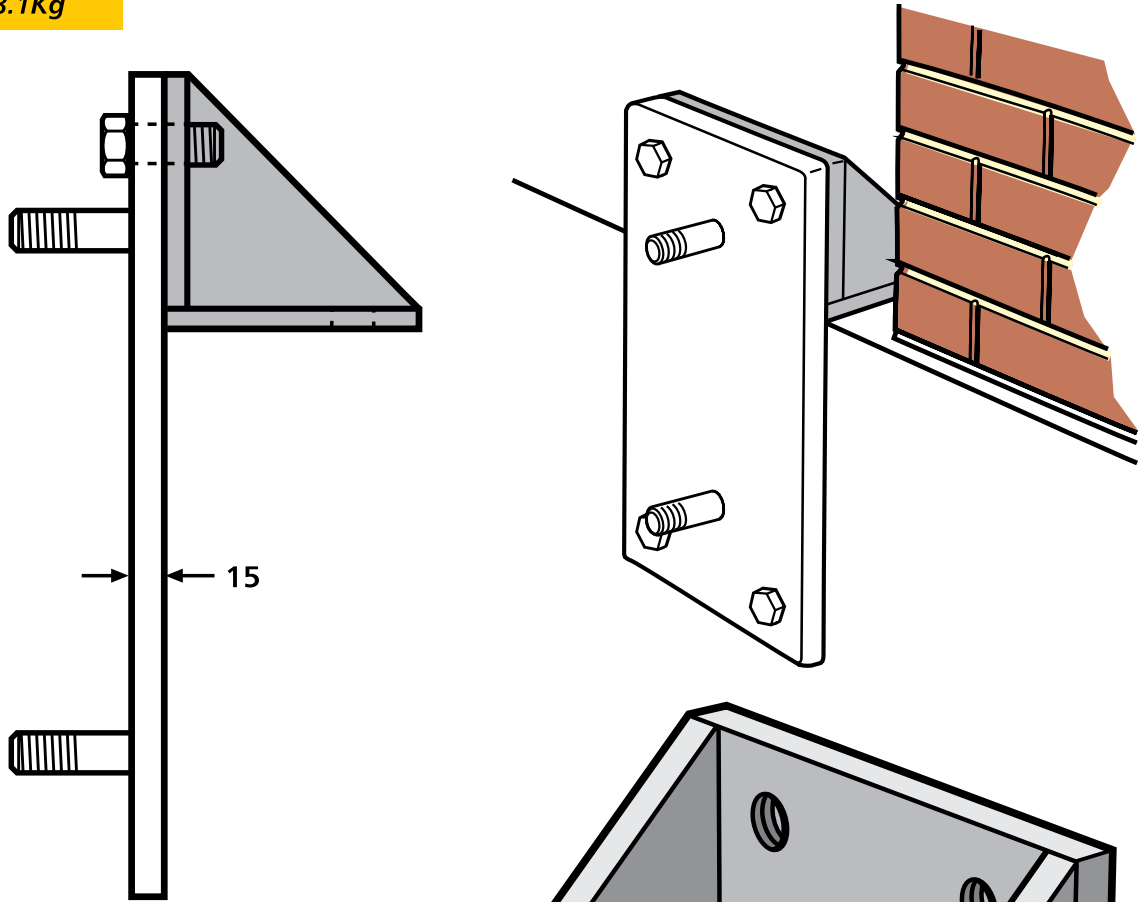


# STEELWORK FOR DOCK BUMPERS

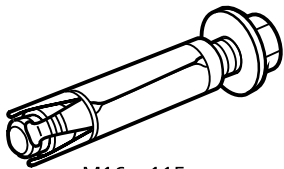
Part Number: **SP ANGLE BRACKET**

MATERIAL: MILD STEEL SELF COLOUR

Weight: 8.1Kg



SP ANGLE BRACKET FITS POLYMER PRODUCT (UK) LTD BACK PLATES



M16 x 115mm SHIELD ANCHOR BOLT

