

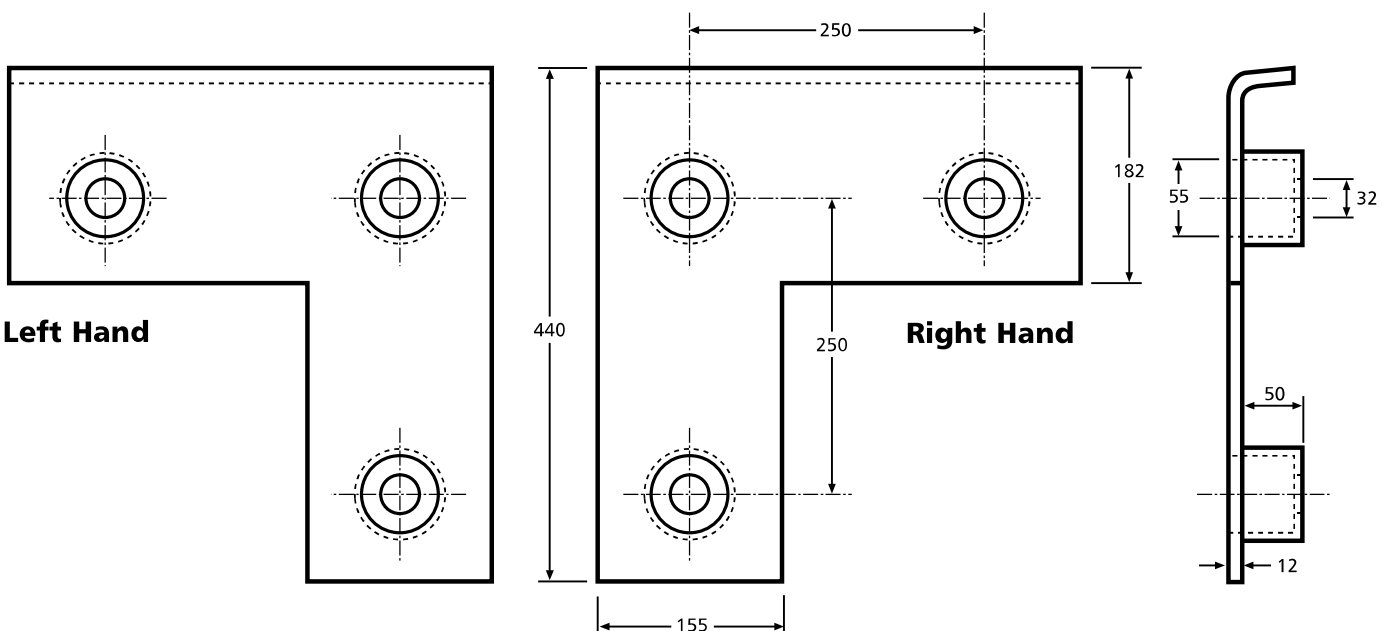
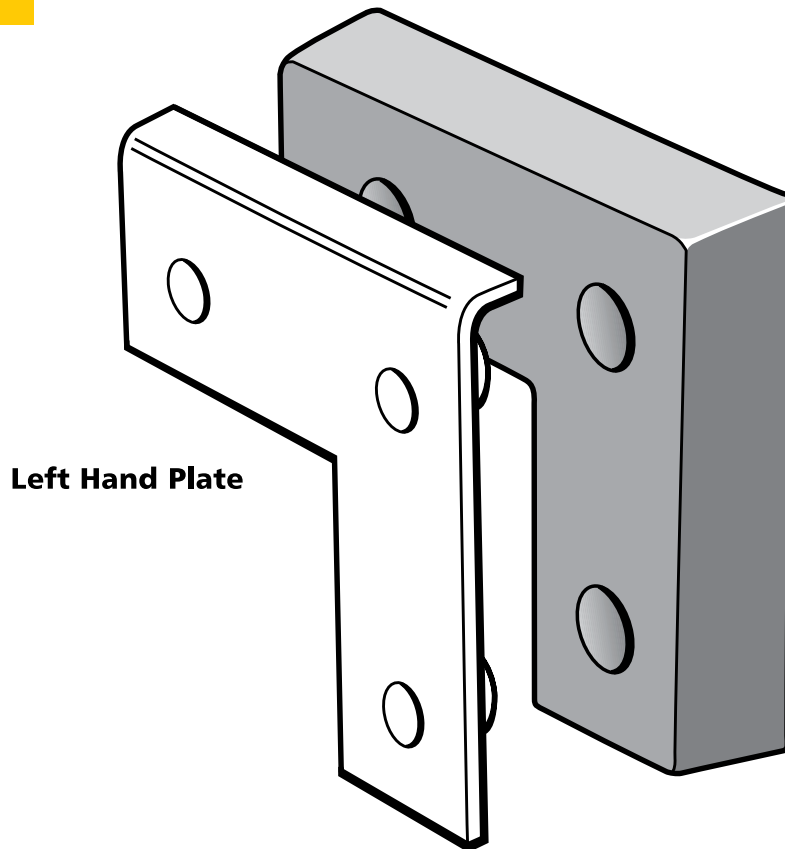
# STEELWORK FOR DOCK BUMPERS

## DOCK BUMPER RIGHT ANGLE PLATES

Part Number: **SP1818L** - Fits DB1818L

MATERIAL: GALVANISED MILD STEEL

Weight: 12.8Kg



**Note:** - Plates are sold in pairs and are Left and Right Handed as shown.