

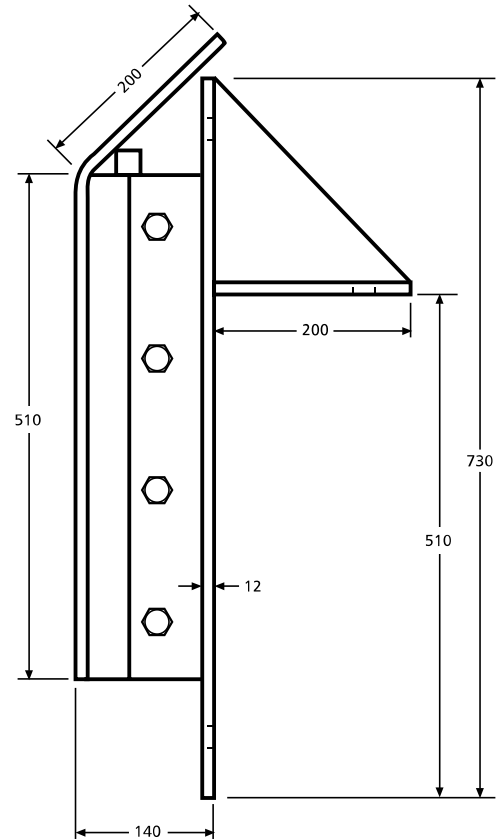
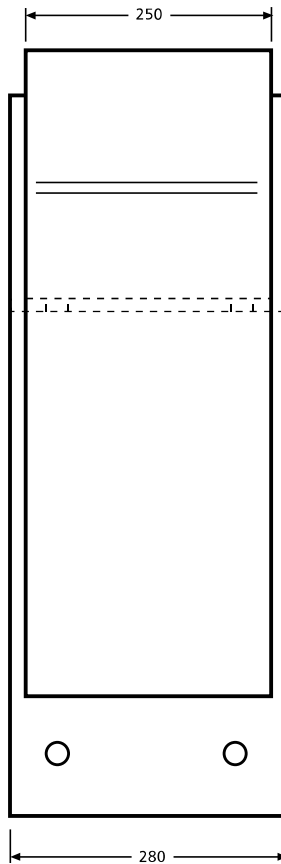
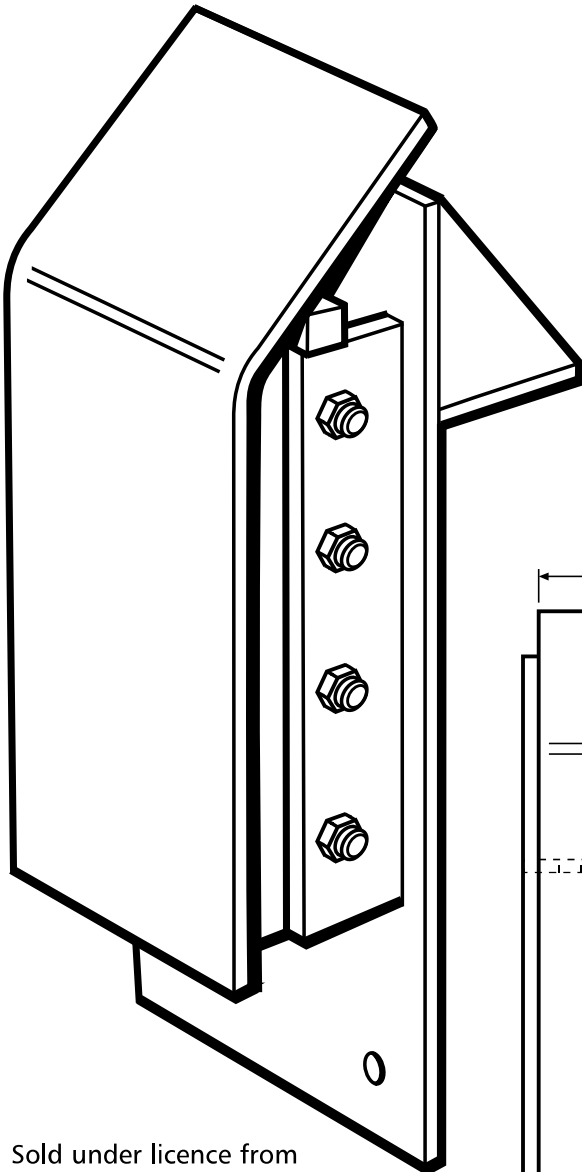
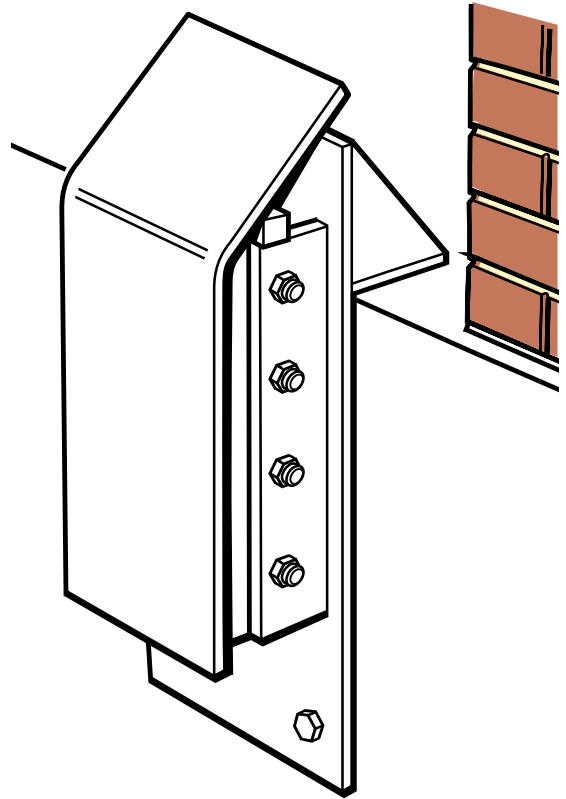
STEELWORK FOR DOCK BUMPERS

STEEL DOCK BUMPERS/PLATES

Part Number: **PLVB420 - SYCA**

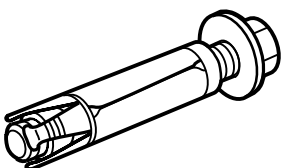
MATERIAL: GALVANISED MILD STEEL/RUBBER

Weight: 67Kg



Sold under licence from
SYCA DISTRIBUTION, FRANCE.

POLYMER PRODUCTS (UK) LTD
ARE EXCLUSIVE AGENTS FOR THE
PLVB420 THROUGHOUT THE UK



M16 x 115mm
SHIELD ANCHOR BOLT