

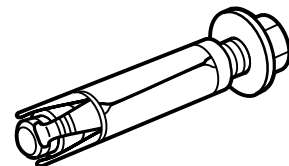
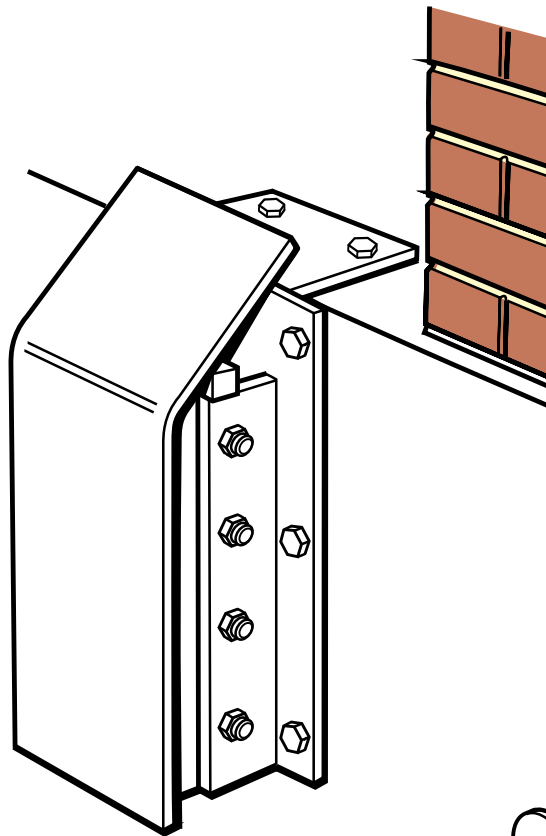
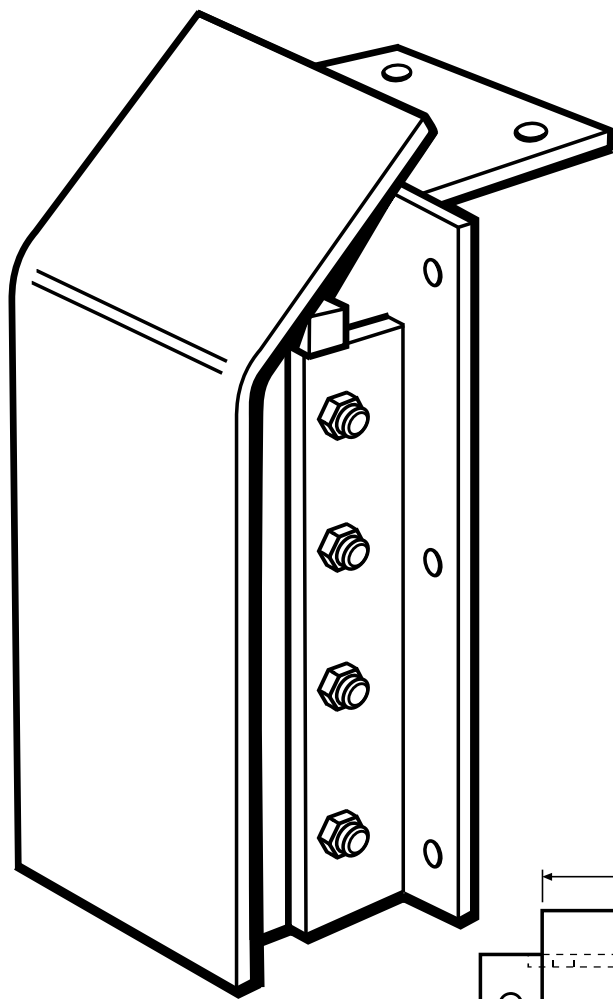
STEELWORK FOR DOCK BUMPERS

STEEL DOCK BUMPERS/PLATES

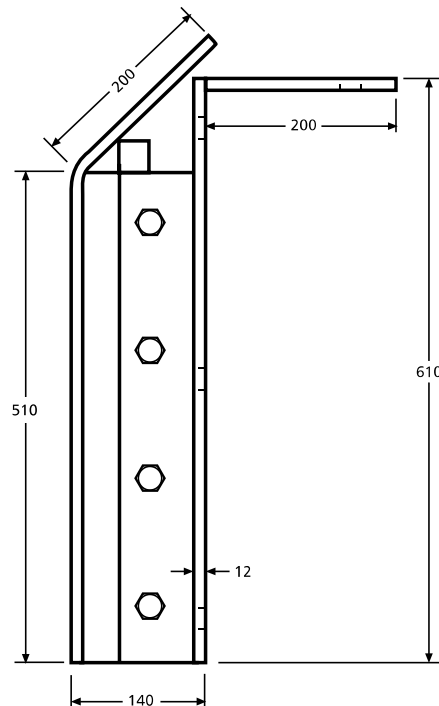
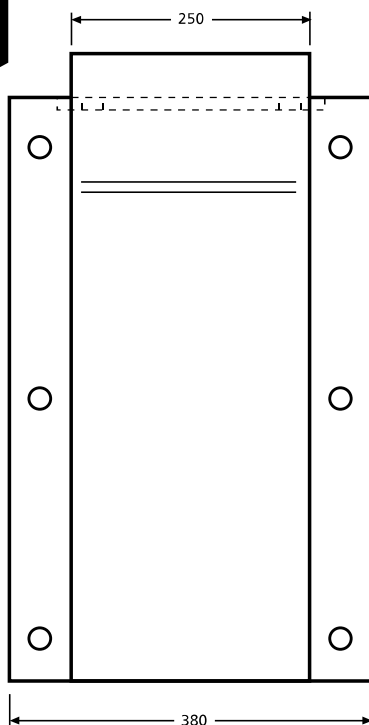
Part Number: **PLVB2-SYCA**

MATERIAL: GALVANISED MILD STEEL/RUBBER

Weight: 65Kg



M16 x 115mm
SHIELD ANCHOR BOLT



Sold under licence from
SYCA DISTRIBUTION, FRANCE.

POLYMER PRODUCTS (UK) LTD ARE
EXCLUSIVE AGENTS FOR THE PLVB2
THROUGHOUT THE UK